



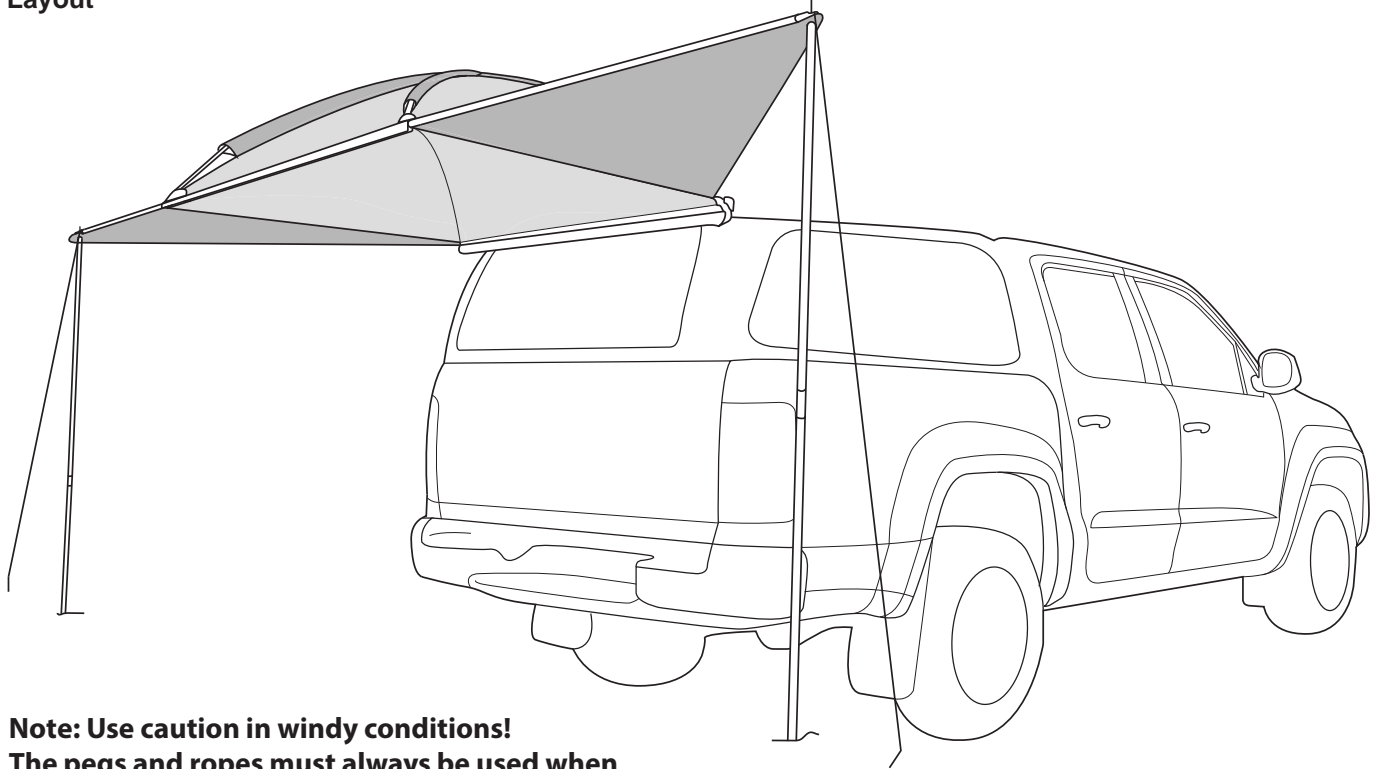
CONTROLLED

RHINO-RACK

Rhino-Rack SUNSEEKER Dome 1300 (32125)

Important: Please read these instructions carefully prior to installation. Please refer to your fitting instruction to ensure that the roof racks are installed in the correct locations. Check the contents of kit before commencing fitment and report any discrepancies. Place these instructions in the vehicle's glove box after installation is complete.

Layout



Note: Use caution in windy conditions!
The pegs and ropes must always be used when the SUNSEEKER Dome 1300 awning is open.

Important Information

Recommendations

It is essential that all bolt connections be checked after driving a short distance when you first install your Rhino SUNSEEKER Dome 1300 Awning. Bolt connections should be checked again at regular intervals (once a week is enough, depending on road conditions, usage, loads and distances travelled). You should also check the roof bars each time they are refitted.

Use only non-stretch fastening ropes or straps.

Please remove SUNSEEKER Dome 1300 Awning and crossbars when putting vehicle through an automatic car wash.

Load Ratings

With the addition of the SUNSEEKER Dome 1300 Awning, the load capacity of your crossbars will have to be adjusted accordingly. The SUNSEEKER Dome 1300 Awning and 2 crossbars weigh approximately 15kg. When roof racks are to be used in off-road conditions, please build a safety factor of 1.5 into this load limit. Although the roof racks are tested and approved to AS1235-2000, Australian road conditions can be much more rigorous.

Note for Dealers and Fitters

It is your responsibility to ensure this fitting instruction is given to the end user or client

Rhino-Rack
3 Pike Street, Rydalmere,
NSW 2116, Australia.
(Ph) (02) 9638 4744
(Fax) (02) 9638 4822

Document No: R743
Prepared By: Kayle Everett
Authorised By: Chris Murty

Issue No: 03
Issue Date: 19/09/2015

These instructions remain the property of Rhino-Rack Australia Pty Ltd and may not be used or changed for any other purpose than intended.

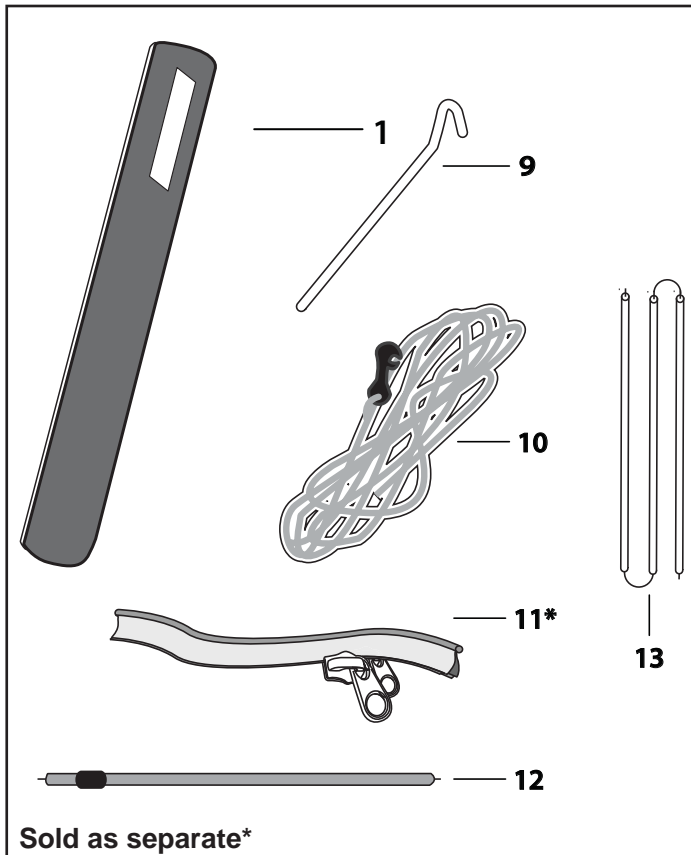
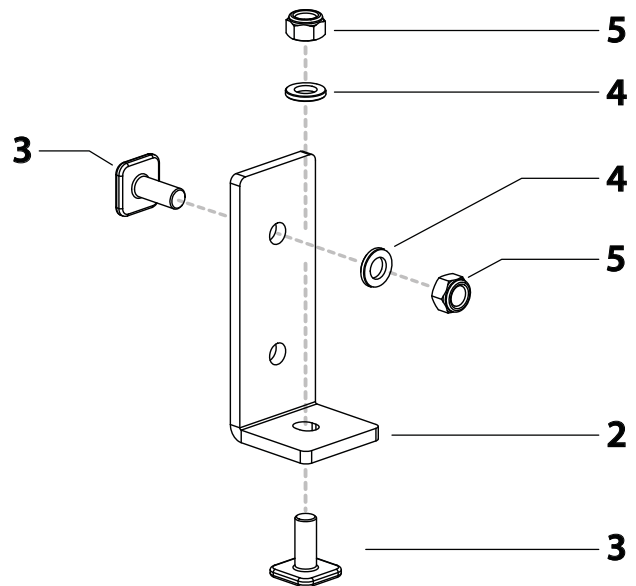


Rhino-Rack SUNSEEKER Dome 1300 (32125)

Parts

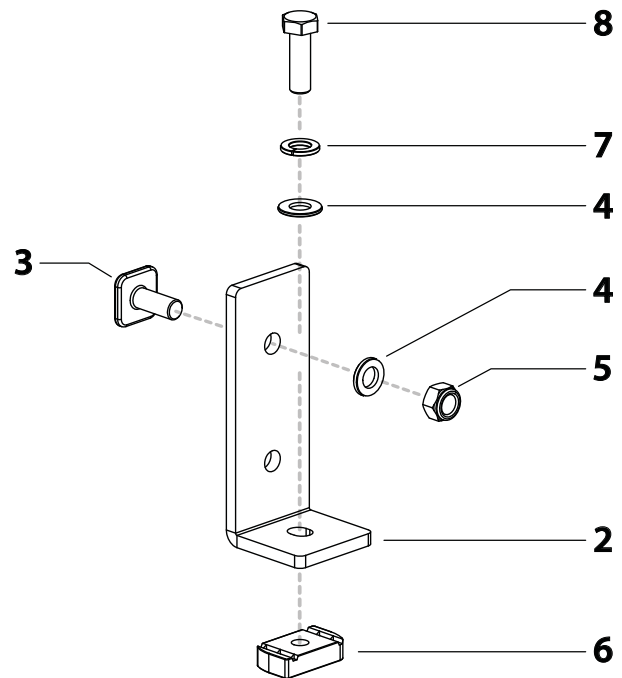
Parts List			
1	Dome 1300 Awning	1	-
2	Crossbar Bracket	2	C640
3	M8 x 20mm T-Bolt	4	B096
4	M8 X 17mm Flat Washer	4	W020
5	M8 Nyloc Nut	4	N028
6	M8 Channel Nut	4	N003
7	M8 Spring Washer	4	W019
8	M8 x 25mm Hex Bolt	4	B101
9	Metal Peg	2	C909
10	Guy Rope	2	C910
11*	Awning Extension Adapter	1	32116
12	Telescopic Support Pole	2	-
13	Dome Support Poles	2	-
13	Fitting Instruction	1	R743

Vortex Crossbar/ Pioneer Setup



Sold as separate*

Heavy Duty Crossbar setup

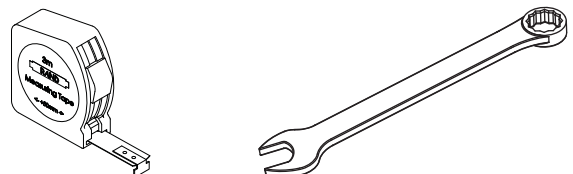


Care Instructions:

Wash and clean vehicle roof racks prior to install.
Avoid setup in high winds

Tools Required:

Tape Measure. 13mm Spanner.
Mallet.

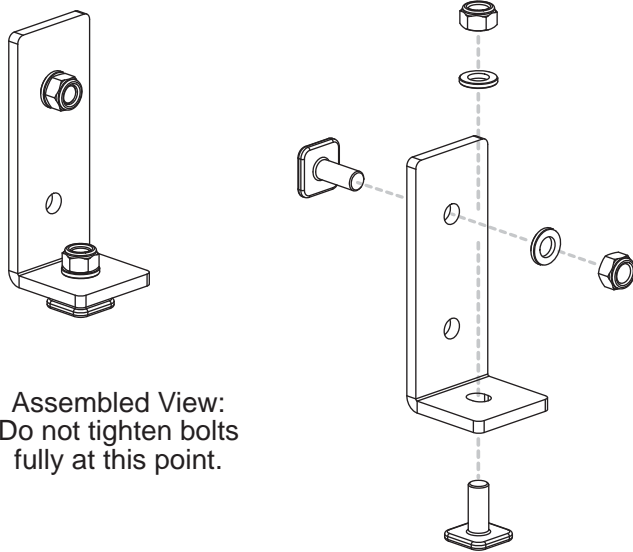




Rhino-Rack SUNSEEKER Dome 1300 (32125)

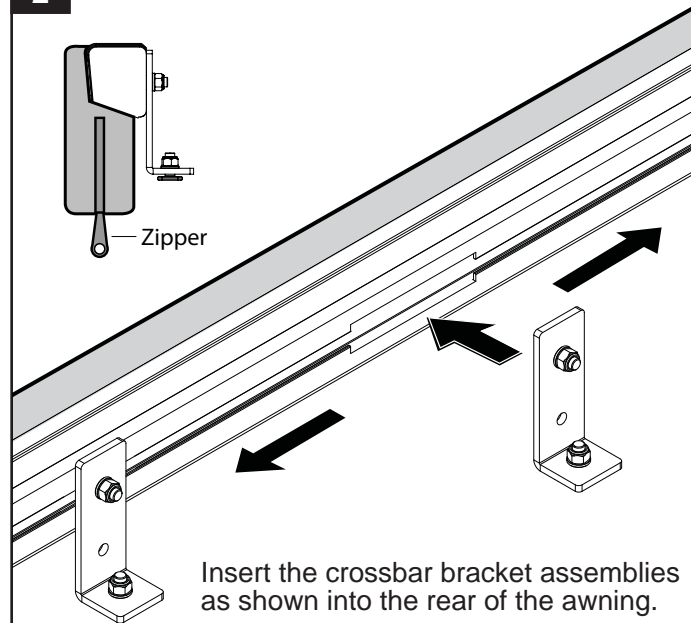
Fitting Instructions

1



Assembled View:
Do not tighten bolts
fully at this point.

2

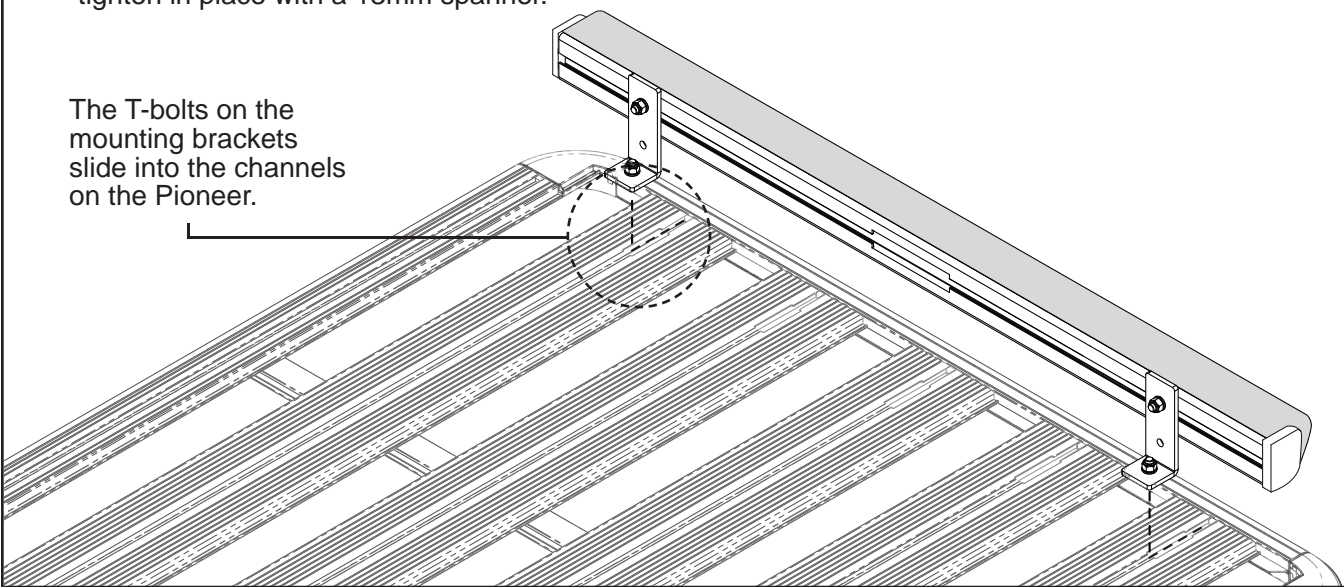


Insert the crossbar bracket assemblies
as shown into the rear of the awning.

3

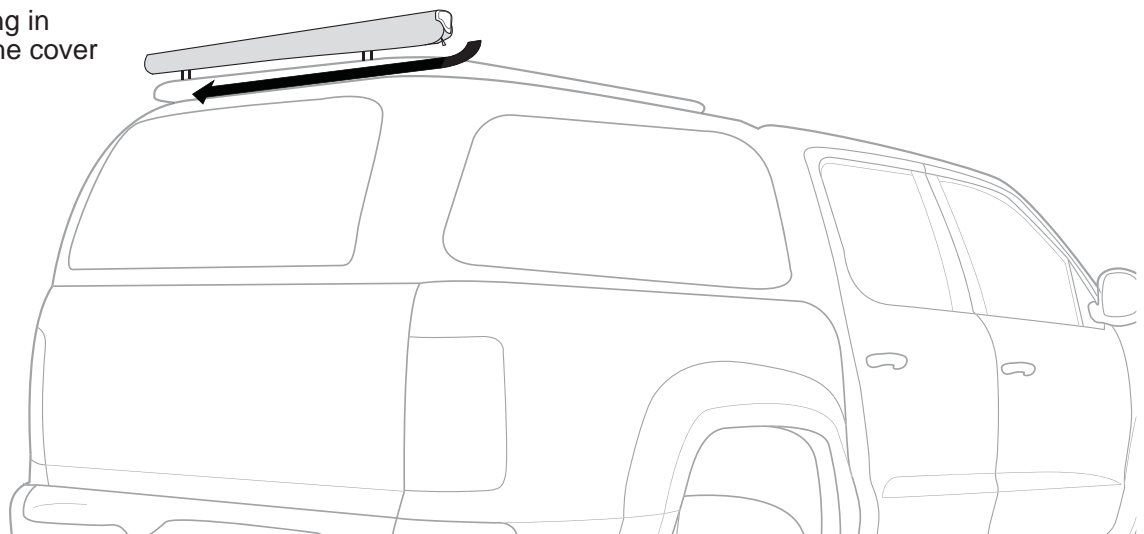
Slide the assembly into the place using the 'C' Channels in the platform as shown. Once positioned, tighten in place with a 13mm spanner.

The T-bolts on the
mounting brackets
slide into the channels
on the Pioneer.



4

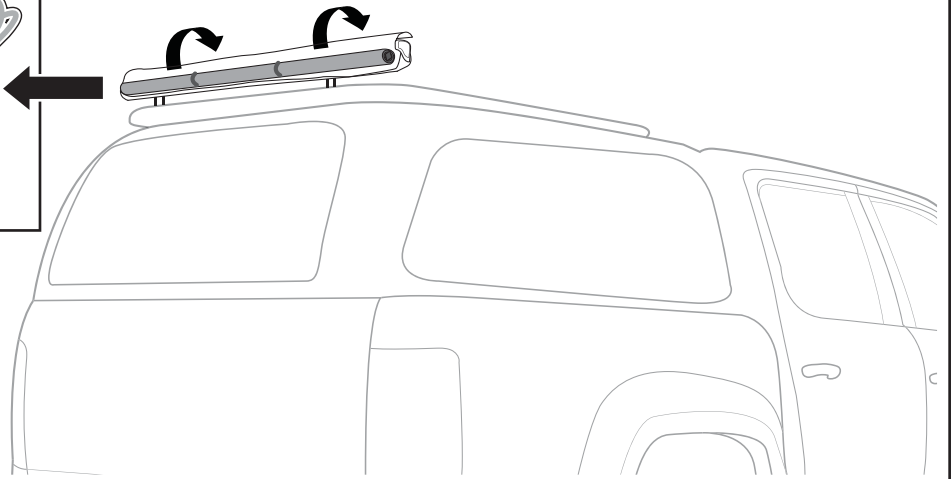
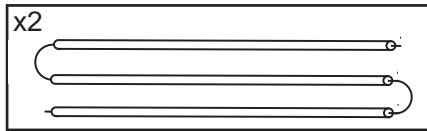
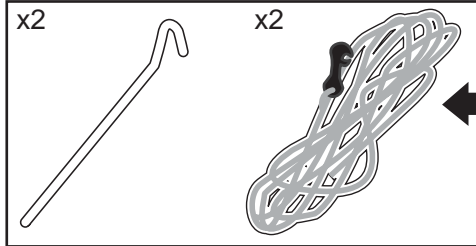
With the awning in
place. Unzip the cover
completely.



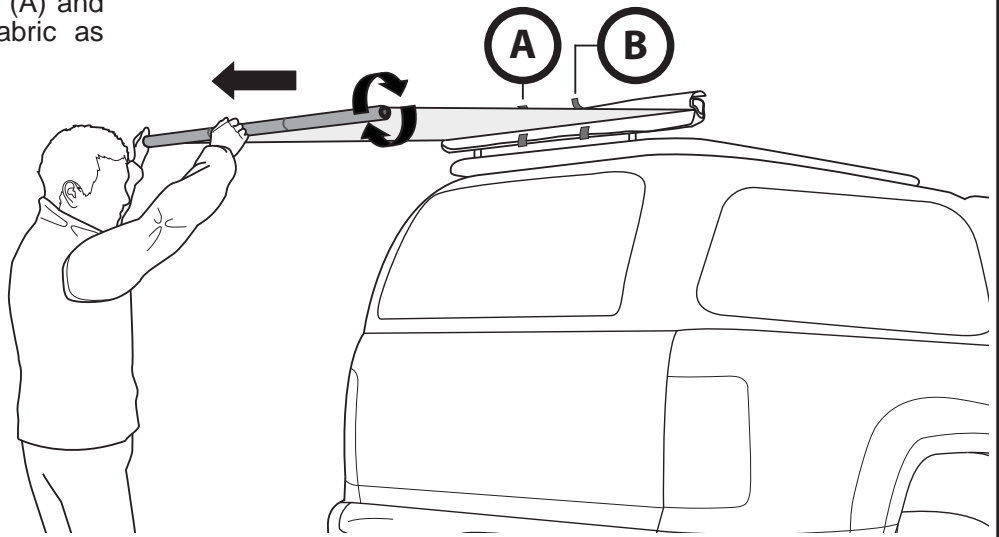


Rhino-Rack SUNSEEKER Dome 1300 (32125)

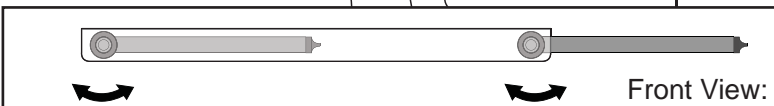
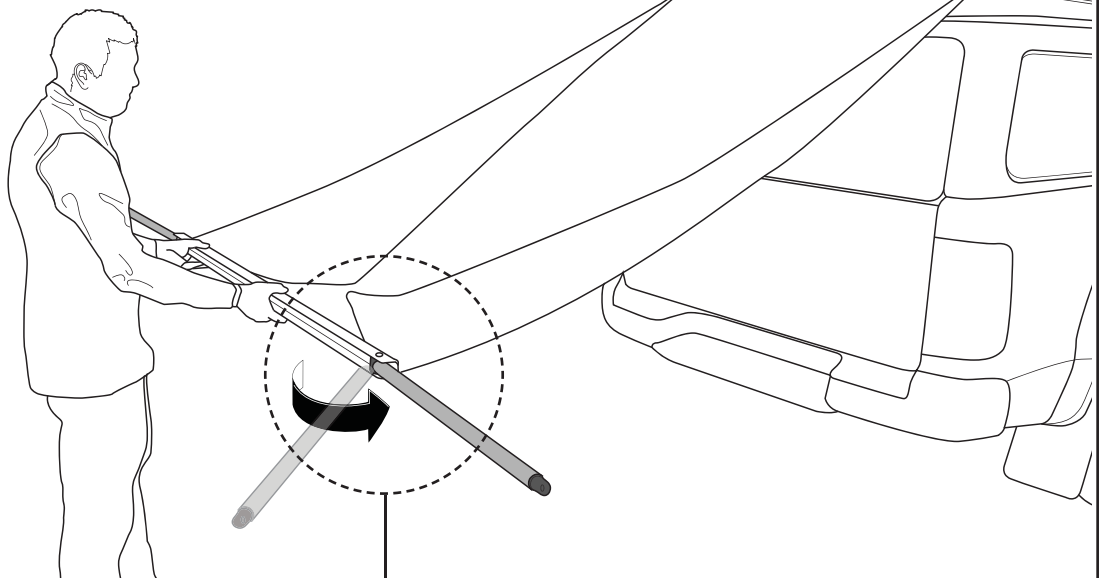
5 Open the cover of the awning and remove the contents.



6 Undo the Velcro Straps at (A) and (B). Unroll the awning fabric as shown.



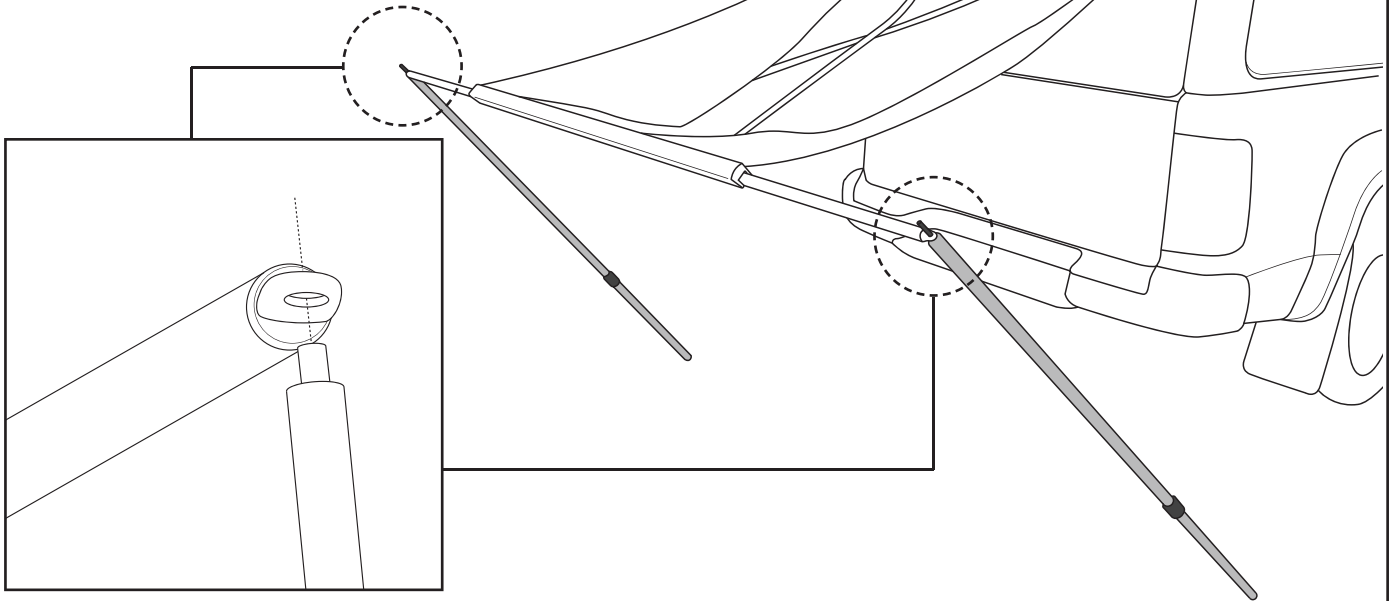
7a Swing the Support Poles on both sides out of the main body of the awning as shown.





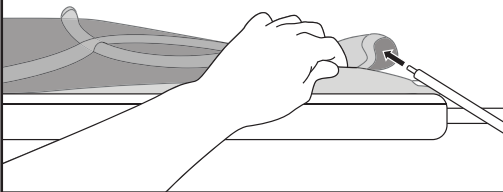
Rhino-Rack SUNSEEKER Dome 1300 (32125)

- 7b** Extend the Vertical Support Poles. Push the tip of the poles through the eyelets on both arms of the awning as shown. If placed on an angle, the assembly should stand unassisted.

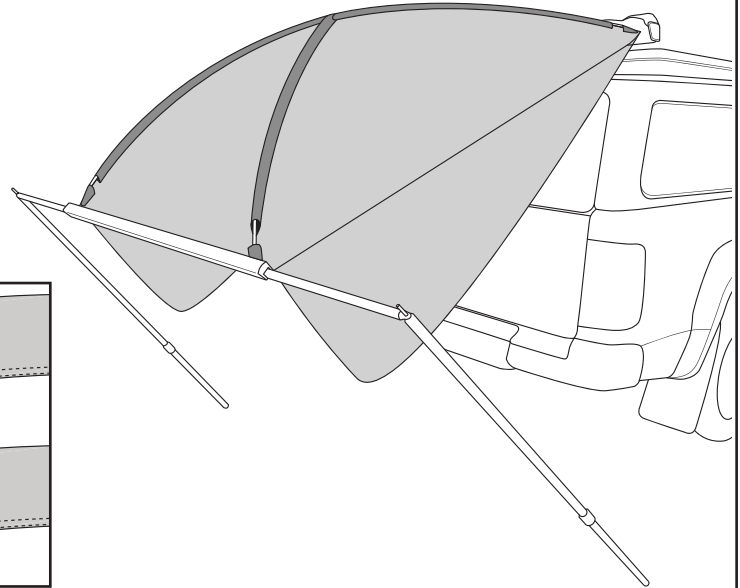
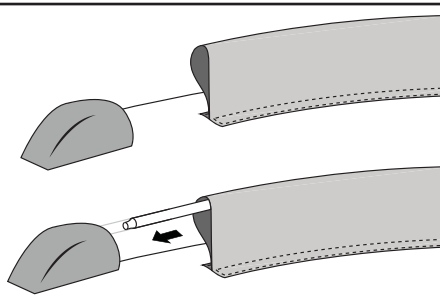


- 8** Slide the Dome Support Poles through the material tubes on the roof of the awning. The ends of the poles can be secured in the fabric pouches at either end of the awning.

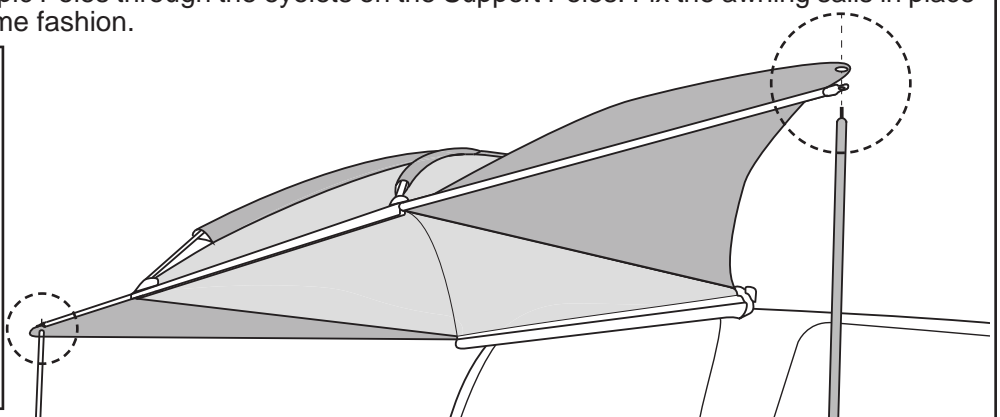
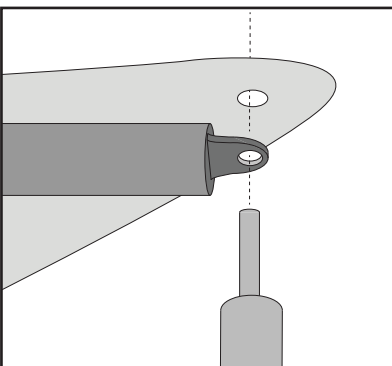
Slide the Support Poles through the material tubes on the roof.



Place the ends of the Support Poles in the fabric pouches at either end of the awning.



- 9** Slide the top of the Telescopic Poles through the eyelets on the Support Poles. Fix the awning sails in place using the eyelets in the same fashion.

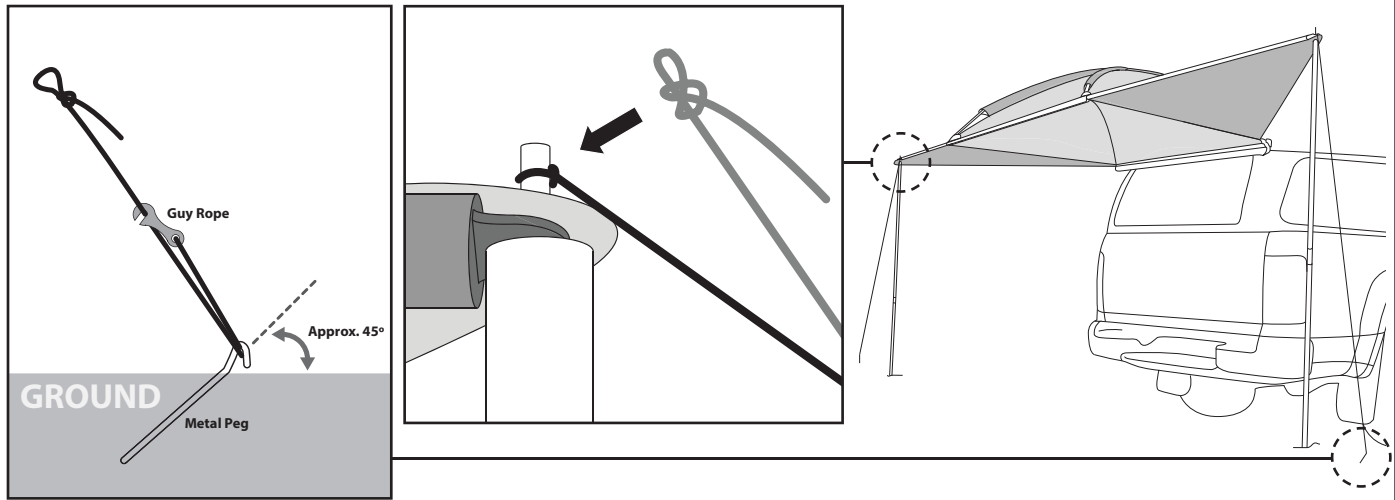




Rhino-Rack SUNSEEKER Dome 1300 (32125)

10

Using the Metal Pegs provided, fix two Guy Ropes to the ground. Now attach the ropes to the top of the support poles as shown. Be sure Guy Ropes are taught.



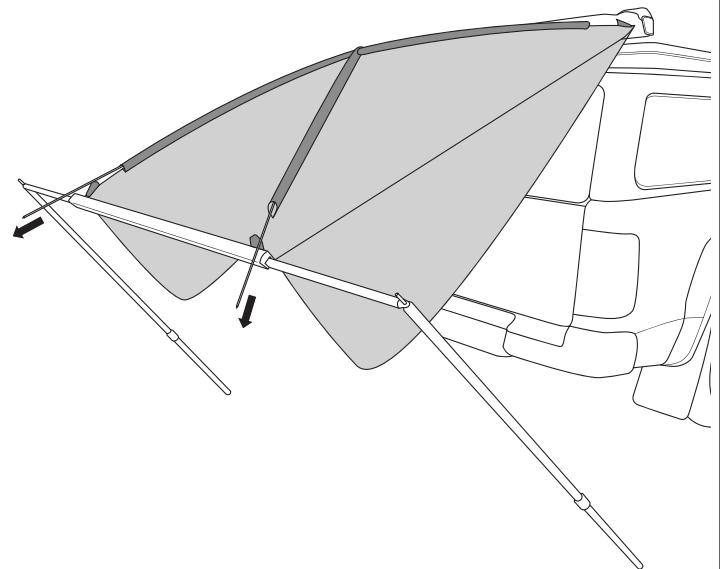
Storage Instructions

1

Undo the Guy Ropes and remove Metal Pegs. Store these items in the bag supplied.

Unhook the awning sales from the telescopic poles.

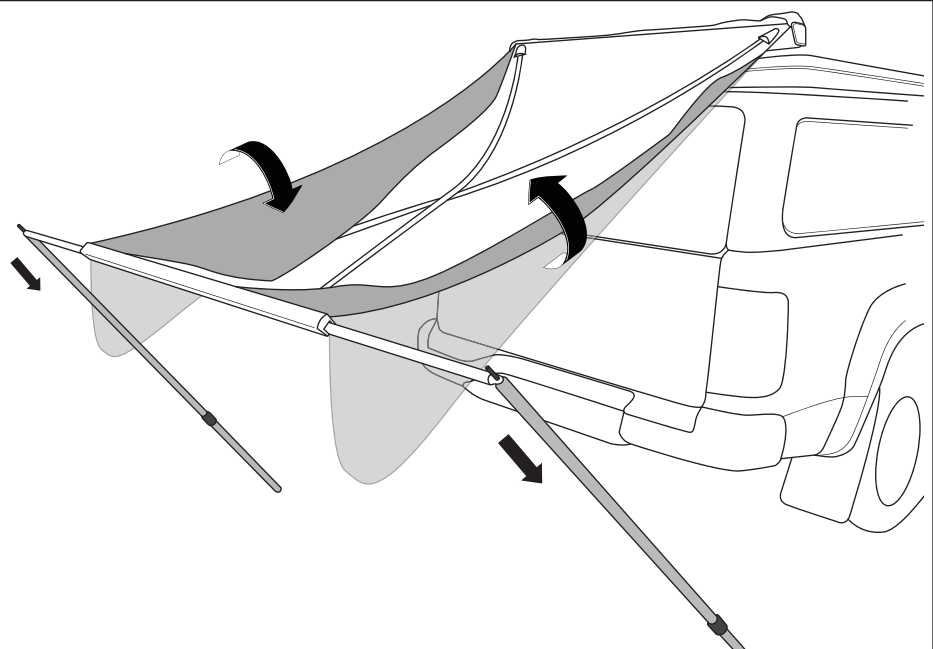
Tilt the awning down as shown. Remove the support poles from the roof of the awning. Store in bag provided.



2

Flip the awning sail neatly back on top of the assembly as shown.

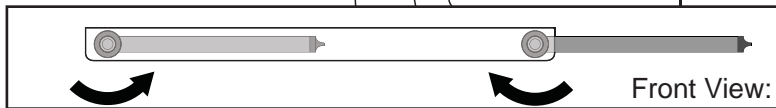
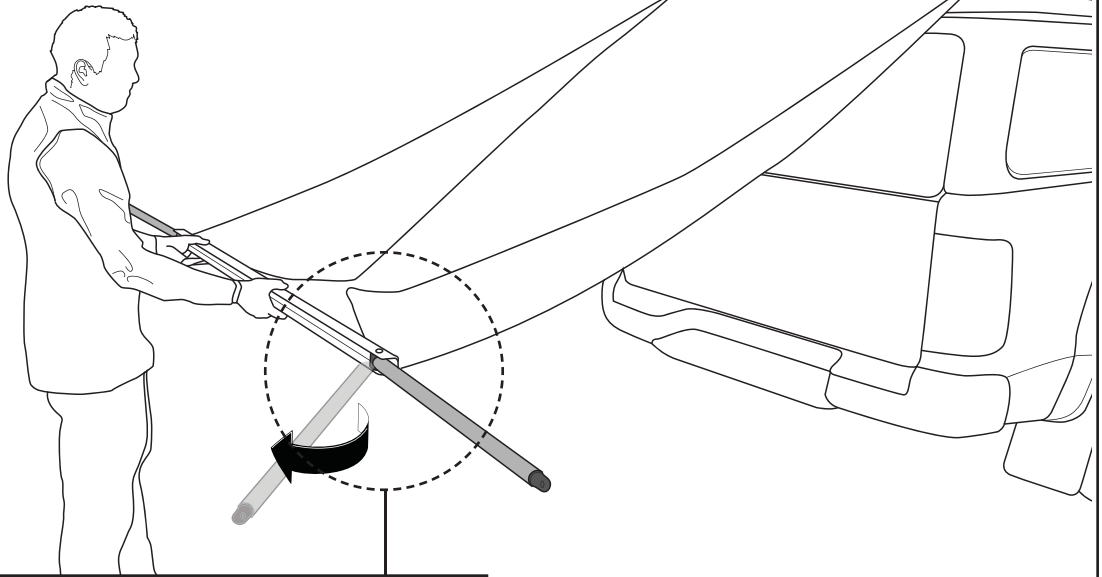
Remove the Telescopic Poles.





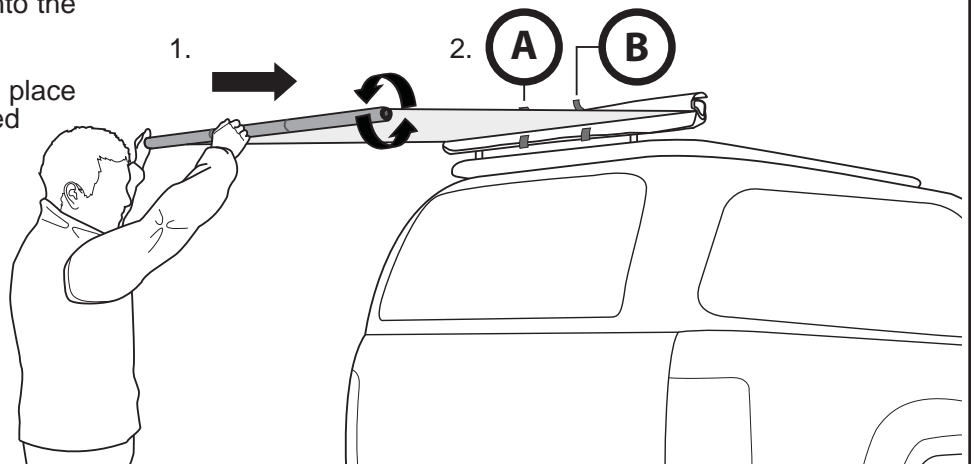
Rhino-Rack SUNSEEKER Dome 1300 (32125)

- 3** Swing the Support Poles back into their housing on both sides.

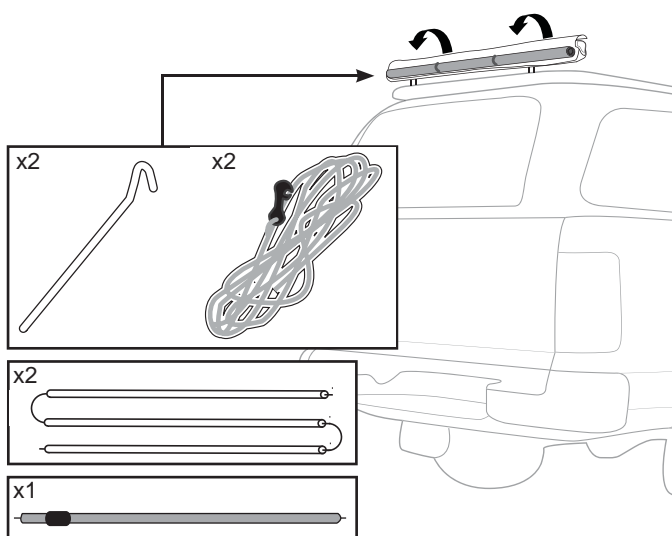


- 4** 1: Roll the awning back up into the main body.

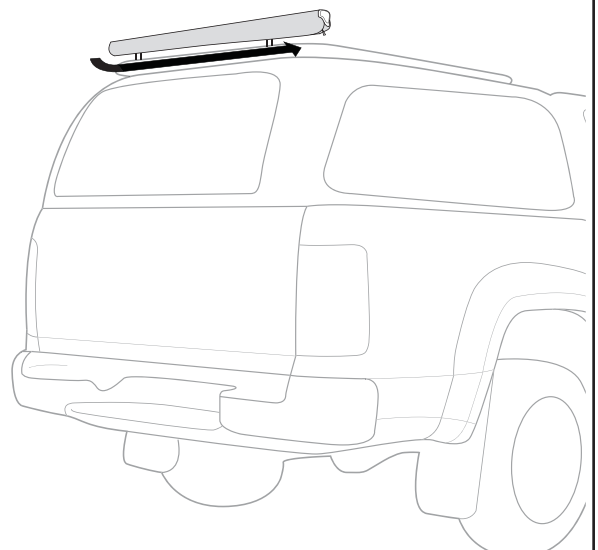
2: Lock the rolled awning in place with the velcro straps provided (A) and (B).



- 5** Place the kit contents back into the main cover housing and close the cover.



- 6** Zip the assembly shut.

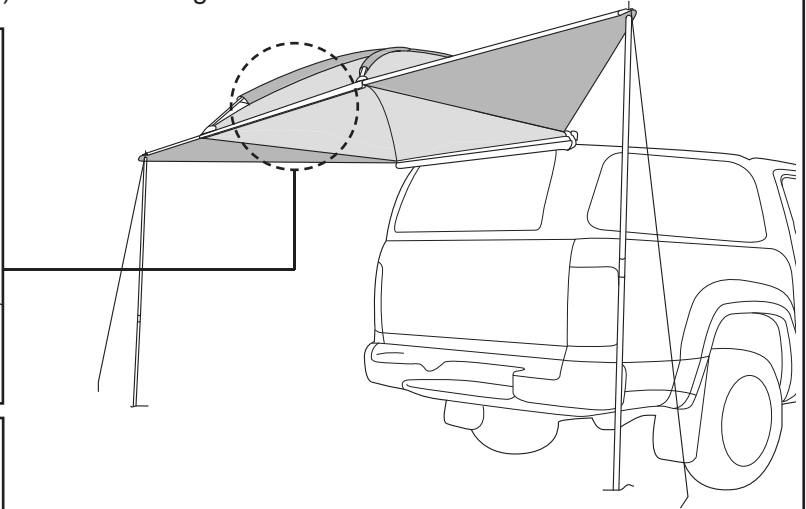
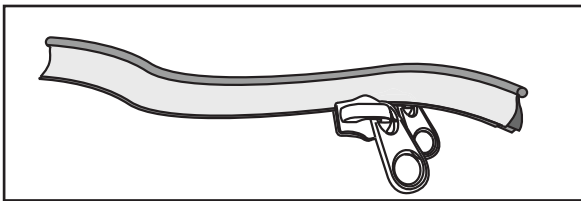
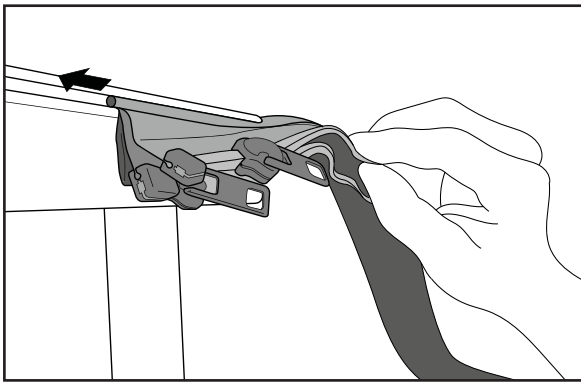




Rhino-Rack SUNSEEKER Dome 1300 (32125)

Awning Extension Adapter Instructions

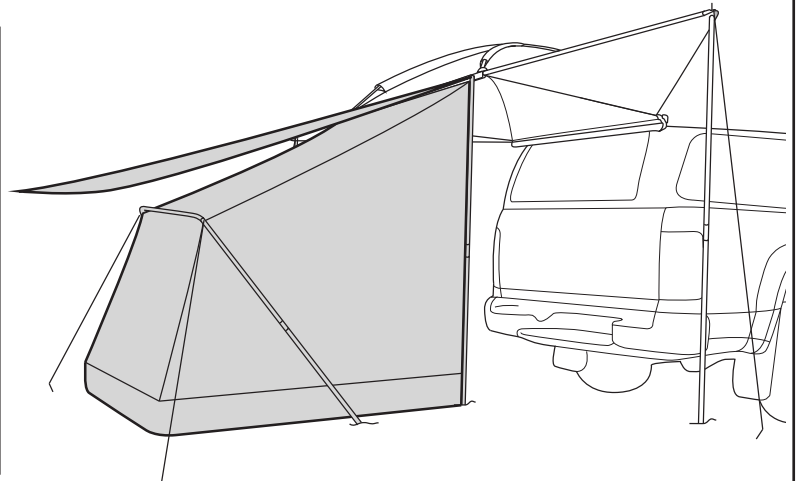
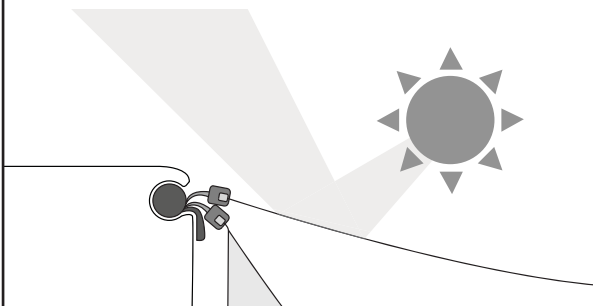
- 1** Install the Extension Adapter insert (32116) into the awning as shown.



Note:
32116 Extension Adapter is intended for use with the Tag-A-Long Tent and the Fly Extension (32117).

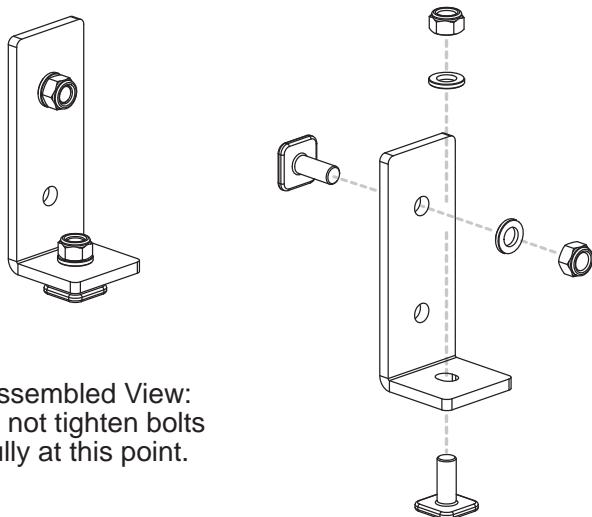
- 2** Attach the Fly Extension first to the awning using the Extension Adapters upper zipper. Tag-A-Long tents should be fixed to the lower zipper.

Attach the Fly Extension to the top Zipper and the Tag-A-Long Tent to the Bottom on the Extension Adapter. Be sure Extension Fly is installed reflective side up.



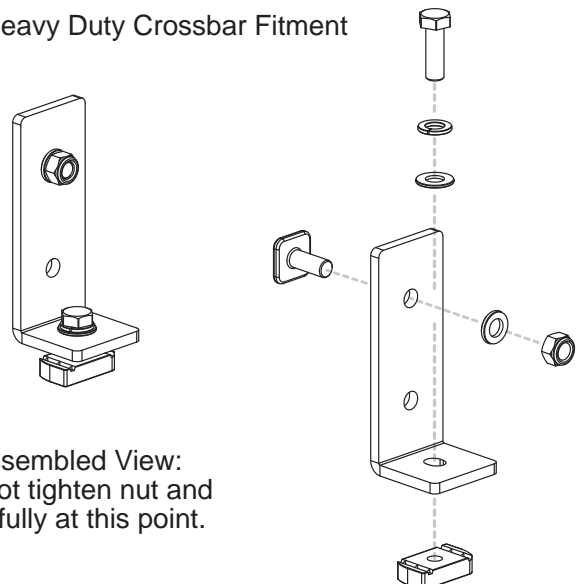
Side Mount Instructions

- 1A** Vortex Crossbar Fitment



Assembled View:
Do not tighten bolts fully at this point.

- 1B** Heavy Duty Crossbar Fitment

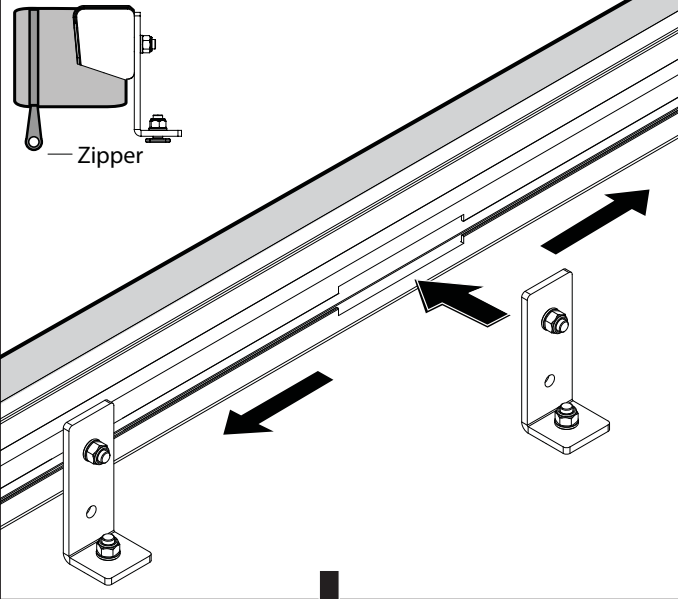


Assembled View:
Do not tighten nut and bolt fully at this point.

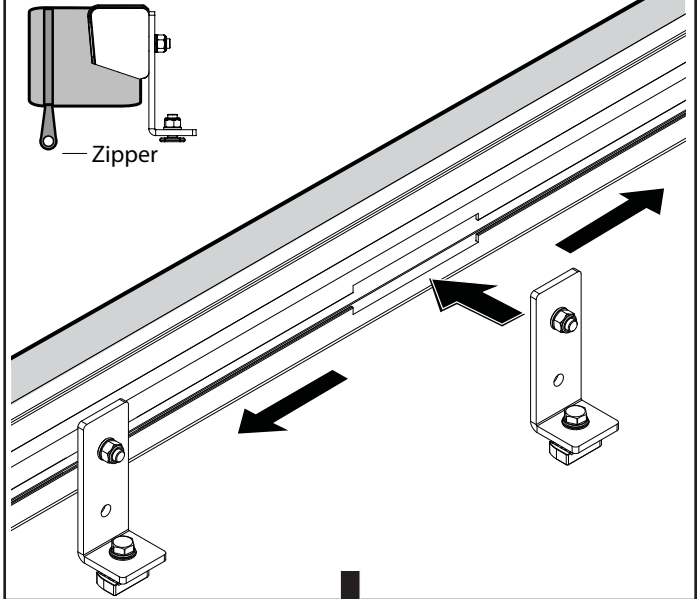


Rhino-Rack SUNSEEKER Dome 1300 (32125)

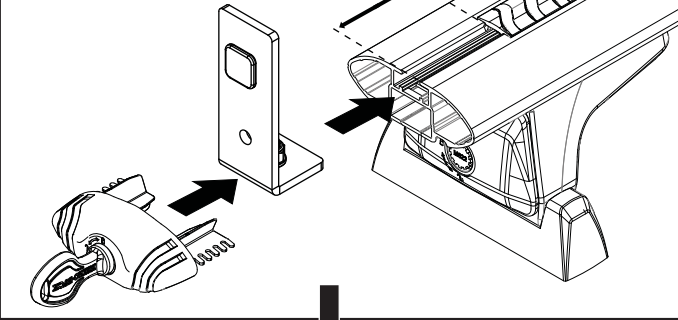
2A Insert the crossbar bracket assemblies as shown.



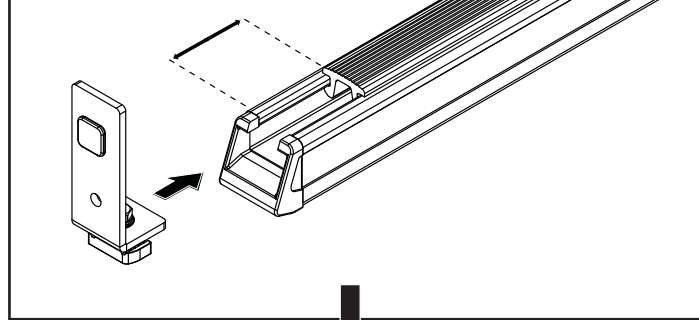
2B Insert the crossbar bracket assemblies as shown.



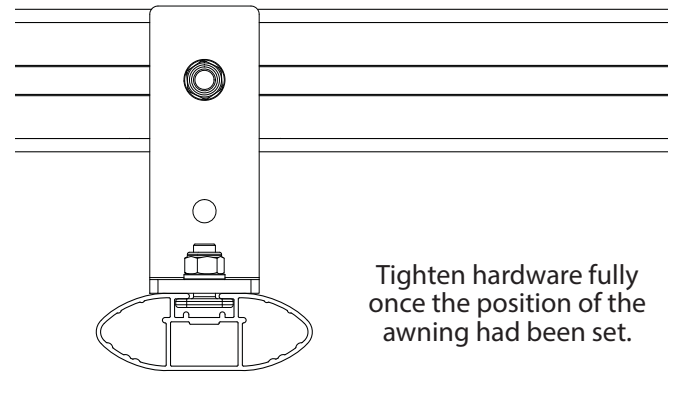
3A Cut buffer strip to size.



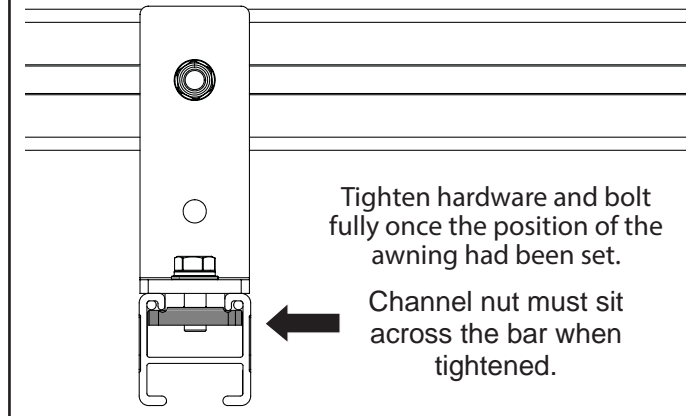
3B Cut buffer strip to size.



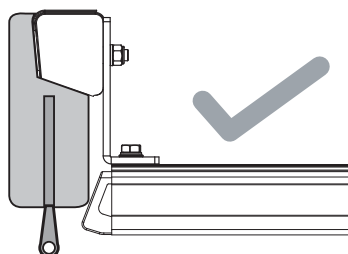
4A Adjust the location of the crossbar bracket assembly to suit the crossbar distance on your vehicle.



4B Adjust the location of the crossbar bracket assembly to suit the crossbar distance on your vehicle.



Ensure that the awning sits within the bar end



The awning must not sit further out than the bar end

